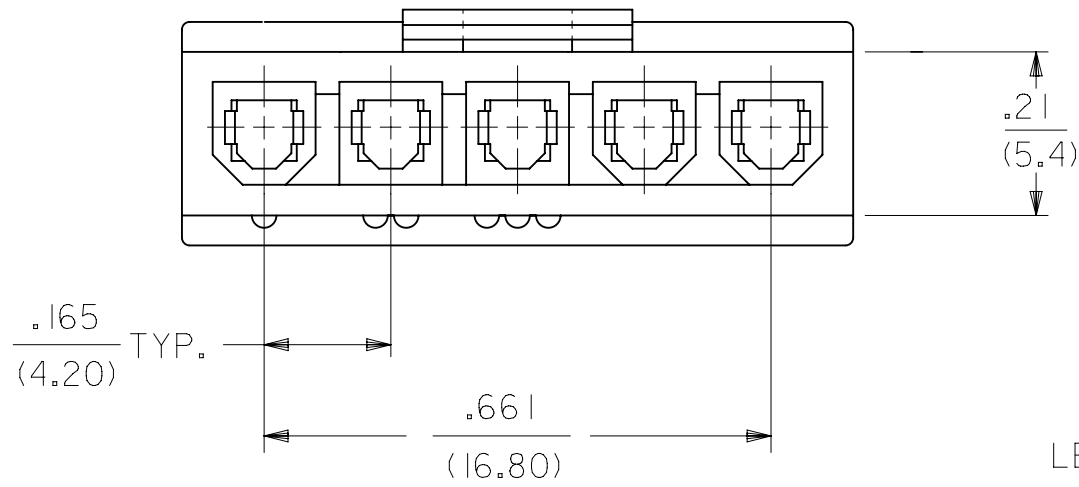
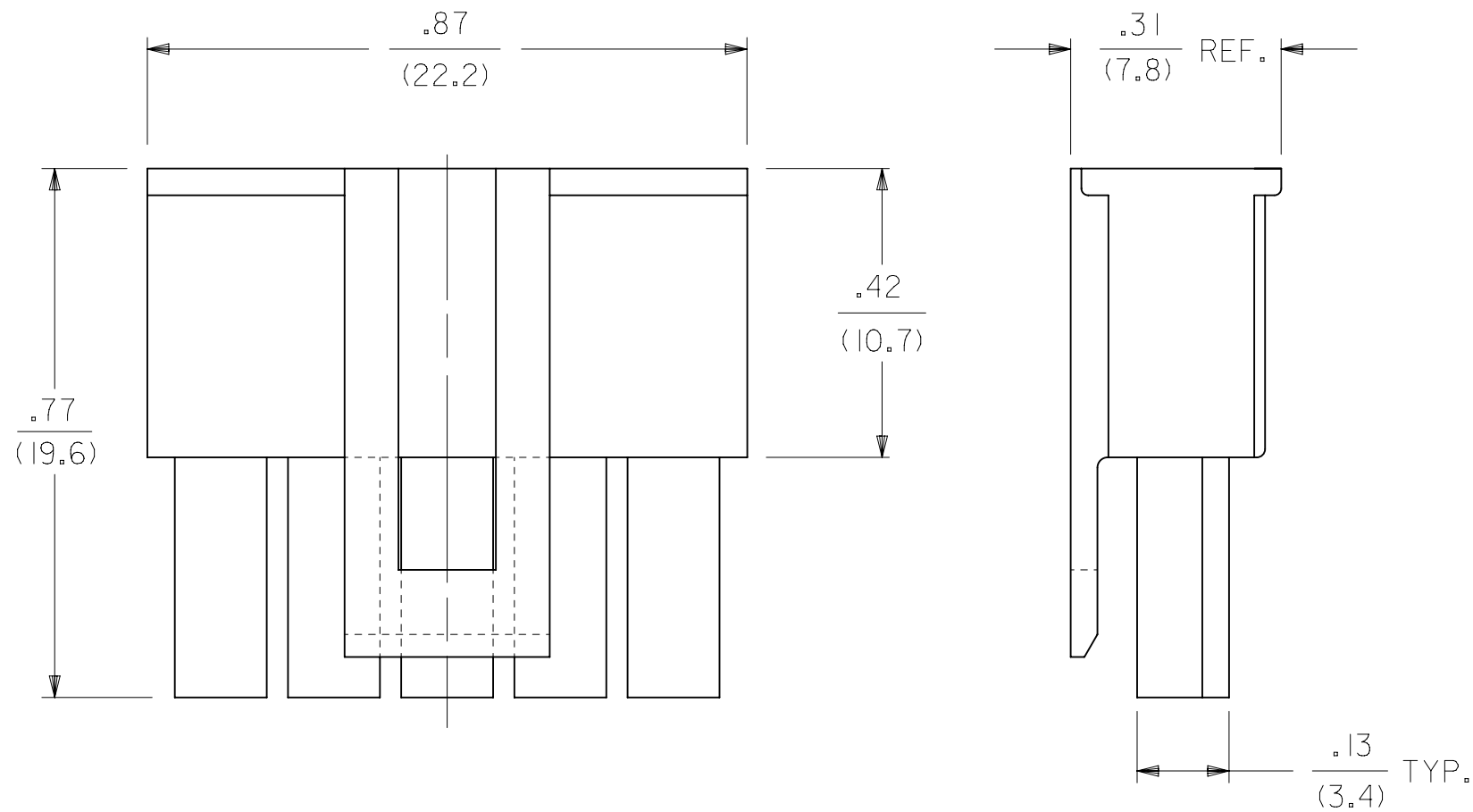


PART NO	ENG NO	CKT SIZE	MATERIAL SEE NOTE 1
03-04-4052	5557-05R4	5	94V-2
50-29-1509	5557-05R4-2 10	5	94V-0



**NOTES**

- 1) MATERIAL:  
"BLANK": NYLON 6/6, 94V-2, COLOR: NATURAL.  
210 : NYLON 6/6, 94V-0, COLOR: NATURAL.
- 2) FINISH: NOT APPLICABLE
- 3) PRODUCT SPECIFICATION: PS-5556-001
- 4) PACKAGING SPECIFICATION: PK-5557-002
- 5) PART MATES WITH MOLEX PLUG #5559-\*, VERTICAL HEADER #5566-\*, AND RIGHT-ANGLE HEADER #5569-\* WITH PASSIVE LATCH.
- 6) PART IS FOR USE WITH MOLEX FEMALE TERMINAL #5556-\*
- 7) PART CONFORMS TO CLASS "B" REQUIREMENTS OF COSMETIC SPECIFICATION PS-45499-002.
- 8) PART IS NOT DESIGNED FOR CURRENT SHARING.
- 9) CONNECTORS ARE NOT TO BE MATED OR UNMATED WHILE CIRCUITS ARE LIVE.
- 10) WIRES ARE TO BE DRESSED IN SUCH A MANNER TO ALLOW THE TERMINALS TO FLOAT FREELY IN THE POCKET.
- 11) TEXT ON PART IS FOR REFERENCE ONLY. TEXT AND TEXT LOCATION MAY VARY DEPENDING ON PART NUMBER AND/OR TOOL.

LEGEND

5557-05R4-\*  
 BASE NO. —  
 CKT SIZE —  
 PASSIVE LOCK RECEPT.  
 (SINGLE ROW)  
 MATERIAL OPTION:  
 (SEE NOTE 1)

SYMBOLS		THIS DRAWING CONTAINS INFORMATION THAT IS PROPRIETARY TO MOLEX ELECTRONIC TECHNOLOGIES, LLC AND SHOULD NOT BE USED WITHOUT WRITTEN PERMISSION		CURRENT REV DESC: MIGRATE TO ECTR		<b>molex</b>	
▽ = 0	DIMENSION UNITS	SCALE		EC NO: 172489			
▽ = 0	IN/MM	4:1		DRWN: AZAHIROVIC 2018/01/12		MINI-FIT JR. RECEPTACLE 5 CKT SINGLE ROW PASSIVE LOCK VERSION	
▽ = 0	GENERAL TOLERANCES (UNLESS SPECIFIED)			CHK'D: JBELL 2018/02/20			
▽ = 0	4 PLACES ±		±	APPR: FSMITH 2018/02/22		PRODUCT CUSTOMER DRAWING	
▽ = 0	3 PLACES ±		± 0.01	INITIAL REVISION:			
▽ = 0	2 PLACES ±		± 0.25 ± 0.014	DRWN: GEP 2003/03/26		DOCUMENT NUMBER	
▽ = 0	1 PLACE ±		± 0.36 ±	APPR: RAS 2003/03/26		55570504-SD	
▽ = 0	0 PLACES ±		±	THIRD ANGLE PROJECTION		DOC TYPE DOC PART REVISION	
▽ = 0	ANGULAR TOL ± 0.5°		±	DRAWING		PSD 000 A	
▽ = 0	DRAFT WHERE APPLICABLE MUST REMAIN WITHIN DIMENSIONS		±	SERIES		MATERIAL NUMBER CUSTOMER SHEET NUMBER	
▽ = 0				B-SIZE 5557		SEE CHART GENERAL MARKET 1 OF 1	