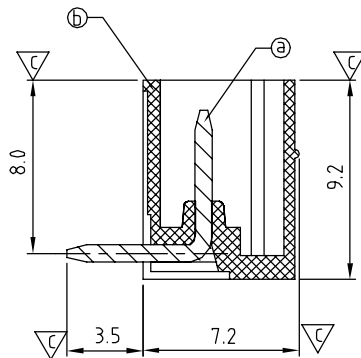
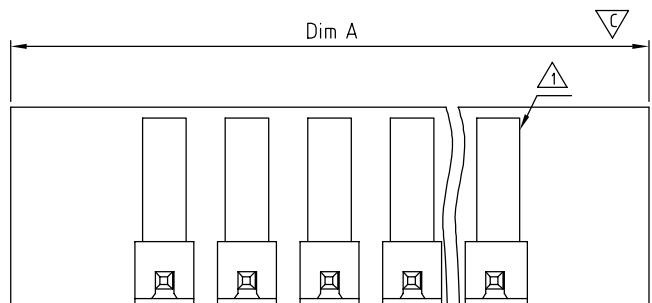
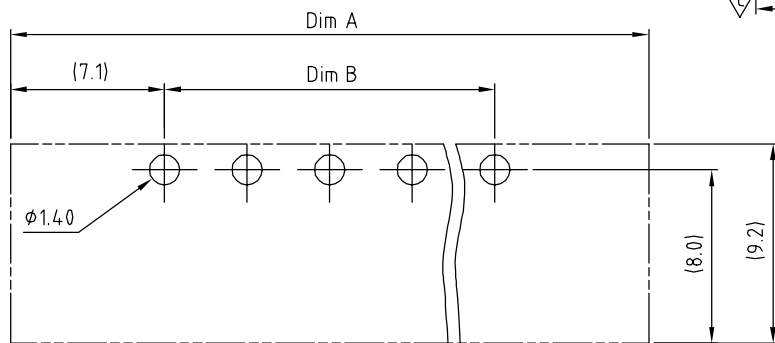


Fill the glue

SEC P-P



SEC Q-Q



RECOMMENDED PCB LAYOUT

N= number of poles

Dim A	(N-1)×3.81+14.2
Dim B	(N-1)×3.81
Dim C	(N-1)×3.81
Dim D	(N-1)×3.81+9.0

2p-6p	±0.15
7p-12p	±0.20
13p-16p	±0.25
17p-24p	±0.30

SIGN	DATE	DESCRIPTION	APPROVER
△	04/20'06	Added feature	Marvin
△	8/16'06	Added VDE standard	Steady
△	1/12'07	Soldering temperature changed from 245° to 250°	Tony
△	12/27'07	Body flange is changed	Marvin
△	5/27'08	Operating temperature is changed	Marvin
△	2009.07.09	Body flange is changed	Jacke
△	2009.08.18	The material is changed	Jacke
△	2010.07.07	Remove the CSA mark	Chen Bo
△	11/17'11	Flange nut is changed	ChenMing
△	2012.05.22	Voltage rating is changed	Chen Bo
△	2012.05.22	The Dimension Dim C & Dim D are added	Chen Bo

THIS IS CAD DRAWING, DO NOT REVISE MANUALLY!!!

Material:

- △ Item ① Male contact pin: Copper C1100 Tin plated
- Item ② Terminalhousing: Thermoplastic (UL94V-0)
- Item ③ With flange nut: Brass M2.5

- △ Electrical: cULus /VDE
- △ Voltage rating: 300V/300V
- Current rating: 10A/10.5A
- Withstanding Voltage: 1.6 KV/2.5KV
- △ Operating temperature: -40°C to +115°C
- △ Soldering temperature: 250°C±10°C/5 Sec
- △ Safety Approval:
- Critical dimension:

OQ xx 3 5 x 1 xxxx G

No. OF POLES
02: 2 POLES
24: 24 POLES

COLOR

- 0 Black (RAL9005)
- 2 Red (RAL3001/D)
- 3 Orange(RAL2011/P)
- 4 Yellow(RAL1018/A)
- 5 Green(RAL6018/T)
- 6 Blue (RAL5015/A)
- 8 Grey(RAL7035/D)
- 9 White(RAL1102)
- C Green(RAL6018/U)

G RoHS compliant (lead<4%)
In copper Alloy
0000: "@ " Logo (Standard)
000A: "ANYTEK" Mark
Any special item by customer request, please contact sales department.

ANYTEK

CUSTOMER COPY

ALL RIGHTS RESERVED. REPRODUCTION OR ISSUE TO THIRD PARTIES IN ANY FORM WHATSOEVER IS NOT PERMITTED WITHOUT WRITTEN AUTHORITY FROM THE PROPRIETOR. PROPERTY OF ANYTEK TECHNOLOGY CO., LTD

TITLE		OQ 3.81mm 90° W/Flange Series 2p-24p			
PART NO.	OQxx35x1xxxxG	DWG NO.	80Q0604		
APPROVED	CHECKED	DESIGNED	DRAWN	CUST NO.	Tolerance
		Chen Bo 05/23'12	Chen Bo 05/23'12		X. ±0.50 X.X ±0.30 X.XX ±0.10 X° ±1°
				SHEET: 01/01	UNIT: mm SCALE: NONE REV.: N