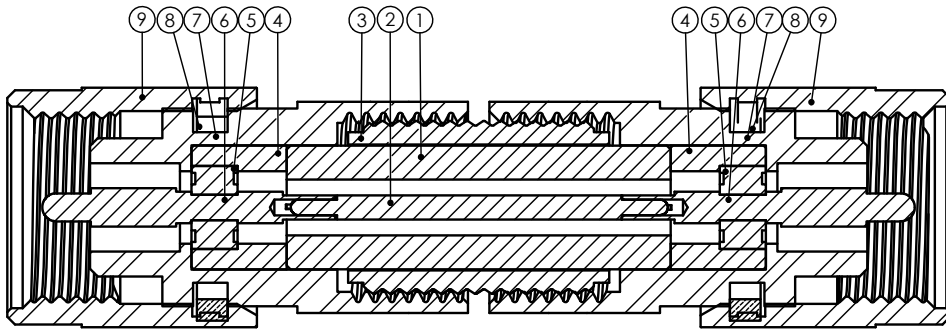
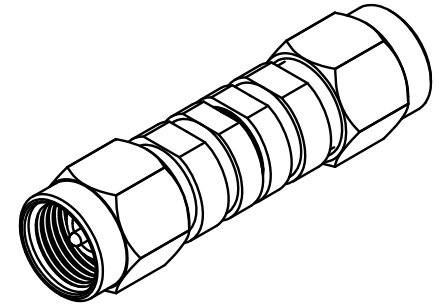
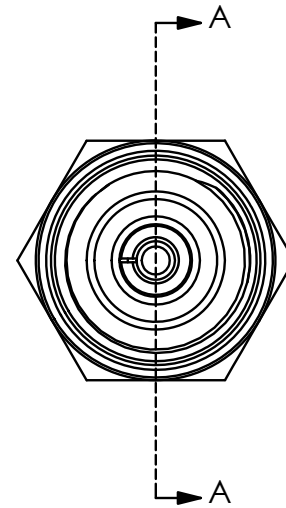


ITEM NO.	PART NUMBER	DESCRIPTION	QTY.
1	TM45-000041-00	SPACER ADAPTERS	1
2	TM45-000020-00	CENTER CONDUCTOR ADAPTERS	1
3	TM45-000080-00	PASSIVATED THREADED COUPLING	1
4	TM45-000040-00	SPACER FOR INSULATOR	2
5	TM45-000030-00	INSULATOR	2
6	TM45-09M020-00	CENTER CONDUCTOR 2.92mm MALE	2
7	TM45-09M010-00	PASSIVATED BODY 2.92mm MALE	2
8	TM45-000070-00	RETAINING RING	2
9	TM45-000090-00	NUT 3.5mm, 2.92mm MALE	2

REVISION			
REV.	DESCRIPTION	DATE	BY
-	INITIAL RELEASE	07/31/2019	TDR



SECTION A-A
SCALE 8:1



NOTE(S):

- INSTALL AND TEST PER "MW ADAPTER & CONNECTOR ASSY PROCEDURE", TM99-0008-00.
- VSWR, MAX. 1.18:1 @ 26.5GHz
1.20:1 @ 40GHz

APPLICABLE CARLISLE IT DOCUMENTS

WORK STANDARD	PROD INSTRUC	ASSY INSTRUC
NA	NA	NA

NOTICE
THIS DRAWING EMBODIES A CONFIDENTIAL PROPRIETARY DESIGN ORIGINATED BY CARLISLE INTERCONNECT TECHNOLOGIES & ALL DESIGN, MANUFACTURING, REPRODUCTION, USE & SALE RIGHTS REGARDING THE SAME ARE EXPRESSLY RESERVED. IT IS SUBMITTED UNDER A CONFIDENTIAL RELATIONSHIP FOR A SPECIFIED PURPOSE & THE RECIPIENT AGREES BY ACCEPTING THIS DRAWING NOT TO SUPPLY OR DISCLOSE ANY INFORMATION REGARDING IT TO ANY UNAUTHORIZED PERSON TO INCORPORATE IN OTHER PROJECTS ANY SPECIAL FEATURES PECULIAR TO THIS DESIGN. ALL PATENT RIGHTS HERETO ARE EXPRESSLY RESERVED BY CARLISLE INTERCONNECT TECHNOLOGIES, KENT, WA 98032.

TOLERANCES AND NOTES
EXCEPT AS NOTED

- DIMENSIONS ARE IN INCHES.
LINEAR $XX \pm .015$ ANGULAR $\pm 1/2^\circ$
FRACTION $\pm 1/32$
- MACHINE FINISH: $\sqrt{\text{RMS}}$
 - BREAK ALL SHARP EDGES .003 MAX.
 - MACHINED FILLETS .005 MAX.
 - MACHINED SURFACES SQUARE TO RESPECTIVE AXIS WITHIN .005 INCHES PER INCH.
 - MACHINED DIAMETERS CONCENTRIC WITHIN .002 TLR.
 - DIMENSIONS TO BE MET BEFORE PLATING.
 - CHAMFER ALL THREADS 45°.
 - THREADS PER H-28
 - REMOVE FRAYED EDGES ON TEFLON.
 - REMOVE ALL BURRS.

APPROVAL	INITIALS	DATE
DRAWN BY	MTV	03.02.18
CHECKED BY	-	-
TEST ENGR	-	-
QUALITY	-	-
DESIGN ENGR	MTV	03.02.18
MFG ENGR	-	-

MATERIAL	SIZE	SPECIFICATION	PROCUREMENT
-	-	-	-
CARLISLE Interconnect Technologies Kent, WA 98032			
TITLE MW ADAPTER 2.92mm MALE - 2.92mm MALE			
SCALE	SUB-DIRECTORY\FILE NAME	SHEET 1 OF 1	REV.
4:1	XXXX\		
SIZE	CAGE CODE\DRAWING NO.	TMA -9MS-9MS-00	
C	7M924		