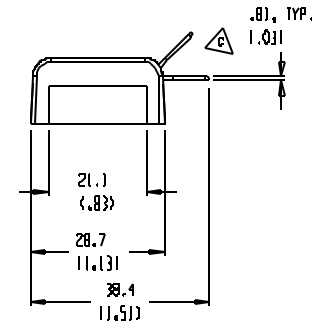
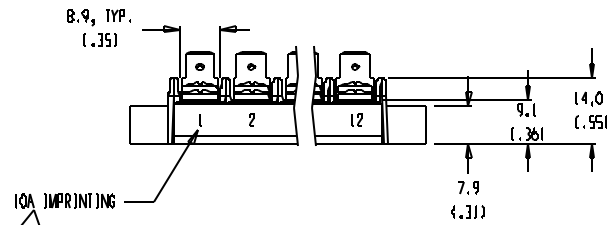


LENGTH SHOWN

ASSEMBLY MATERIAL NO.	NO. OF CIRCUITS "XX"	"A"	"B"
	2		
	3		
387890242	4	63.5 (2.50)	55.6 (2.19)
	5		
387890243	6	85.9 (3.38)	77.7 (3.06)
	7		
387890244	8	108.0 (4.25)	100.0 (3.94)
	9		
387890245	10	130.3 (5.13)	122.2 (4.81)
	11		
387890246	12	152.4 (6.00)	144.5 (5.69)



- NOTES:
1. MATERIAL: SEE TABLE
 2. FINISHES: SEE TABLE
 3. PRODUCT SPECIFICATIONS: NOT REQUIRED
 4. PACKAGING: NOT REQUIRED
 5. MATE WITH: NONE

ITEM	QTY.	DESCRIPTION	MATERIAL	FINISH
5	(XX)*2	SCREW	STEEL	ZN/CLEAR CHROMATE
4	XX	45° SINGLE TAB	BRASS	TIN
3	XX	SINGLE FAST TAB	BRASS	TIN
2	XX	TERMINAL	BRASS	NICKEL
1	1	INSULATOR	THERMOPLASTIC	BLACK

EC NO. ECNF 3406 DRWN: WH (111)-03 CHK: APPT:	QUALITY SYMBOLS MAJOR CRITICAL SPC S:	GENERAL TOLERANCES UNLESS SPECIFIED 4 PLACES ±.038 ±.0015 3 PLACES ±.038 ±.005 2 PLACES ±.13 ±.01 1 PLACE ±.3	SCALE [:] <input type="checkbox"/> MM <input checked="" type="checkbox"/> INCH DRAWN BY & DATE R. KEMP 4-8-03	THIRD ANGLE PROJECTION TITLE: SR BTS, CB, FT, ASY, IOA
		ANGLE: ±2° DRAFT WHERE APPLICABLE MUST REMAIN WITHIN DIMENSIONS	APPROVED BY & DATE P. WALTZ 4-8-03	MATERIAL NO. SEE CHART DRAWING NO. SD-38789-001 SHEET NO. 1 OF 1
		CAD FILENAME: 780XX-10A(111)H-14H	MOLEX INCORPORATED	
		THIS DRAWING CONTAINS INFORMATION THAT IS PROPRIETARY TO MOLEX INCORPORATED AND SHOULD NOT BE USED WITHOUT WRITTEN PERMISSION.		

PROJECT NO.:	1
DIMENSIONS:	SHY REV
<input checked="" type="checkbox"/> MM (INCH) <input type="checkbox"/> INCH (MM)	<input type="checkbox"/> TIN ONLY <input type="checkbox"/> REVISE ON CAD ONLY