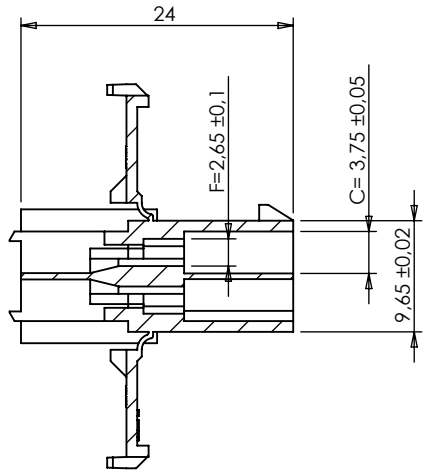
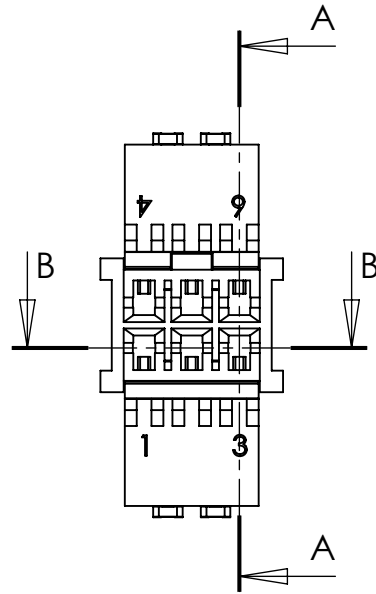


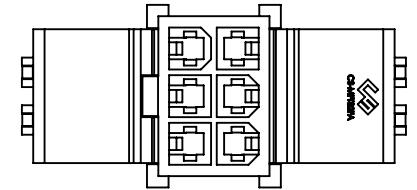
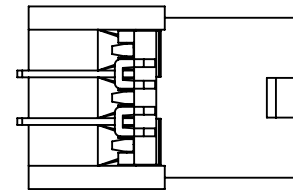
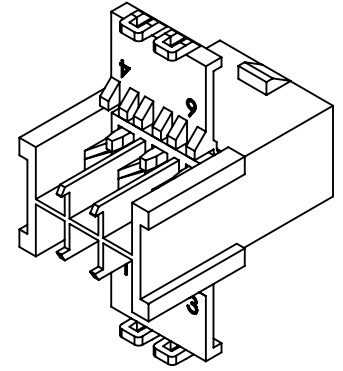
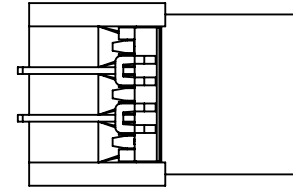
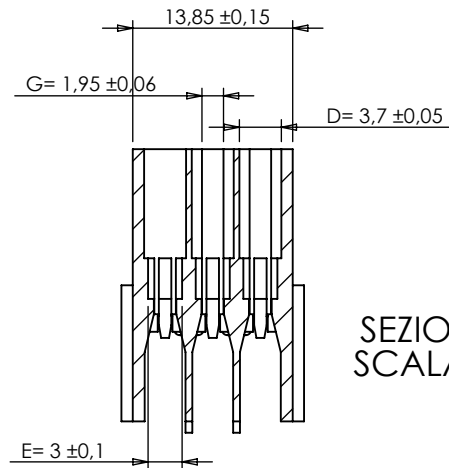
This drawing and all informations contained here can not be used or reproduced, integrity or partially, without written authorization by Colombo Sergio & Figli.

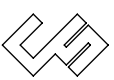
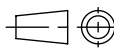


SEZIONE A-A  
SCALA 1.5 : 1



SEZIONE B-B  
SCALA 1.5 : 1



INDEX	MODIFICATION	DATE
 COLOMBO SERGIO e Figli S.r.l. 20063 CERNUSCO S/N - VIA COMO, 11 TEL +39.02.9210.7404 - FAX +39.02.9210.0217 http://www.cscolombo.com - e-mail: info@cscolombo.com		
CHECKED BY Stefano Galimberti		DATE 18-04-2012
DRAWN BY Stefano Querzoli		DATE 18-04-2012
SCALE 1.5:1	CAD REFER Y:\dis\cs\mft\mftxxf\mftxxfa\tavole\	DESIGN UNITS METRIC
BASE CODE CS-MFT32F	DESCRIPTION MFT FEMALE CONNECTOR FOR PANEL, 3X2 POLES	WEIGHT
DIMENSIONS WITHOUT TOLERANCES		INDEX 0 18-04-2012
$\angle \pm 2^\circ$	0 - 6 $\pm 0.1$	
	6 - 30 $\pm 0.2$	
	> 30 $\pm 0.3$	
PART NUMBER	MATERIAL	

	CS-MFT32F	PA66 UL94 V-2
	CS-MFT32FV0	PA66 UL94 V-0
	CS-MFT32FV0750NF	PA66 UL94 V-0 GWIT 775
	CS-MFT32F-G	PA6 UL94 V-2 GWIT 775
	PART NUMBER	MATERIAL

E

D

C

B

A

1

1

2

2

3

3

4

4